

PANTHER SERIES

PUSH PLATES WITH INTEGRATED WIRELESS TECHNOLOGY



PRIMARY APPLICATIONS



DESCRIPTION

BEA's Panther series consists of 900 MHz or 433 MHz wireless technology integrated into 6 inch round, 4.75 inch round and 4.75 inch square push plates.

With an integrated wireless transmitter and mounting box, the Panther series reduces installation time by eliminating the need to run wires from the push plate or use additional mounting hardware. This offers greater mounting flexibility in areas where hardwired push plates cannot be mounted.

FEATURES & BENEFITS

- 1/16 inch thick stainless steel for maximum durability
- Concealed fasteners minimize vandalism
- NEMA 4 rated housing creates a weather resistant barrier that enables the push plates to be mounted in outdoor environments or wash-down applications
- Enhances accessibility for those with limited mobility or disabilities

CÓDIGO	SKU	MODELO	DESCRIPCIÓN
BE-00013-00	10EMR61	10EMR61	PLATO D/EMPUJE PHANTER INAL.6" MOD.10EM
BE-00014-00	10RD433	10RD433	RECEPTOR P/PLATO EMP. PHANTER MOD.10RR433





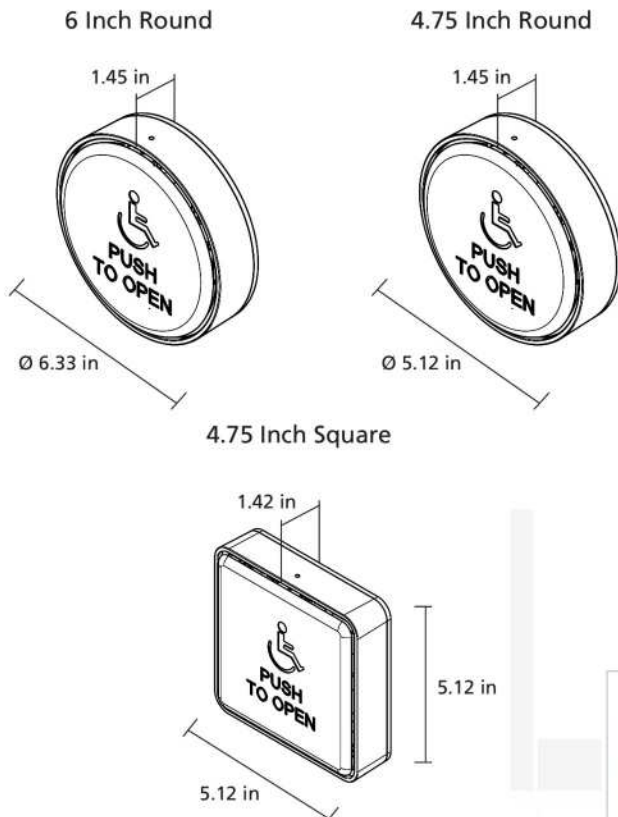
TECHNICAL SPECIFICATIONS

Dimensions	
6 Inch Round	6.33 in (Ø) x 1.45 in (D)
4.75 Inch Round	5.12 in (Ø) x 1.42 in (D)
4.75 Inch Square	5.12 in (W) x 5.12 in (H) x 1.42 in (D)
Weight	
6 Inch Round	1.2 lbs
4.75 Inch Round	1.14 lbs
4.75 Inch Square	1.04 lbs
Mounting Options	
	Surface or bollard mount
Transmitter Frequency	
	433 MHz or 900 MHz
Power	
433 MHz	(1) 12 V Type A23
900 MHz	(2) CR2032
Material	
Faceplate	16 Gauge, 304 2B Stainless Steel
Housing	ABS Plastic
Degree of Protection	
	NEMA 4 / IP65 FCC IC Part 15 Approved

*Corresponding frequency receiver required.

**See 433 MHz and 900MHz Users' Guides for more information on BEA's wireless transmitters and receivers.

DIMENSIONAL DRAWINGS



RELATED PRODUCTS

10EMR61 6" ROUND WITH 433 MHz TEXT & LOGO	10EMR6L 6" ROUND WITH 433 MHz LOGO ONLY	10EMR6 6" ROUND WITH 433 MHz TEXT ONLY
10EMR4751 4.75" ROUND WITH 433 MHz TEXT & LOGO	10EMR475L 4.75" ROUND WITH 433 MHz LOGO ONLY	10EMR475 4.75" ROUND WITH 433 MHz TEXT ONLY
10EMS4751 4.75" SQUARE WITH 433 MHz TEXT & LOGO	10EMS475L 4.75" SQUARE WITH 433 MHz LOGO ONLY	10EMS475 4.75" SQUARE WITH 433 MHz TEXT ONLY
10EMR61-900 6" ROUND WITH 900 MHz TEXT & LOGO	10EMR6L-900 6" ROUND WITH 900 MHz LOGO ONLY	10EMR6-900 6" ROUND WITH 900 MHz TEXT ONLY
10EMR4751-900 4.75" ROUND WITH 900 MHz TEXT & LOGO	10EMR475L-900 4.75" ROUND WITH 900 MHz LOGO ONLY	10EMR475-900 4.75" ROUND WITH 900 MHz TEXT ONLY
10EMS4751-900 4.75" SQUARE WITH 900 MHz TEXT & LOGO	10EMS475L-900 4.75" SQUARE WITH 900 MHz LOGO ONLY	10EMS475-900 4.75" SQUARE WITH 900 MHz TEXT ONLY

