



Puertas & Portones Automáticos, S.A. de C.V

*¡Nuestra pasión es la Solución!....*

» CERRADURA PARA HOSPITAL ACERO INOXIDABLE PUSH/PULL MARCA CAL-ROYAL MOD. HOS-PP30.



# HOS-PP30

Grade 1 Heavy Duty  
Hospital Latch



Descargar en pdf  
Versión Digital.

(229) 461-7028



portonesautomaticos@adsver.com.mx  
portonesautomaticos@prodigy.net.mx



RESIDENCIAL



COMERCIAL



INDUSTRIAL

MEMBER



International Door Association



V09.21

(229) 927-5107, 167-8080, 167-8007, 151-7529.



www.adsver.com.mx

» **CERRADURA PARA HOSPITAL ACERO INOXIDABLE PUSH/PULL MARCA CAL-ROYAL MOD. HOS-PP30.**

**HOSPP SERIES**  
**Grade 1 Heavy Duty**  
**Hospital Latch**

**FEATURES**

- UL-listed for use on all fire doors
- Meets ADA requirements
- Ideal for use in hospitals, washrooms or public buildings
- Can be installed in 6 different mounting positions
- Covers and paddles are made of stainless steel
- Non-Handed
- Standard T-Strike and Plastic Dust Box
- 1 3/4" door thickness
- 2 3/4" backset standard, face plate 1 1/8" x 2 1/4"
- Optional 5" backset
- 2 5/8" x 4 3/8" Covers
- 2 5/8" Handle Projection,
- **Anti-microbial coating option available.**  
 Use "HOS-ANTB" when ordering.
- Lead lining option available for doors with lead lining
- Optional ASA ANSI Strike

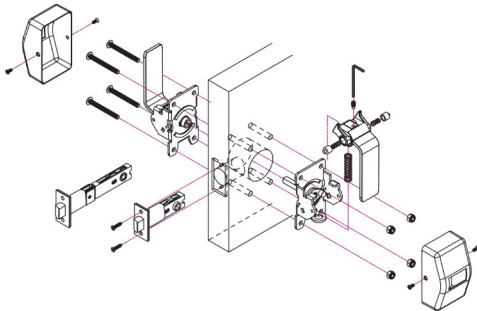


**MEETS**  
*The Buy American Act*



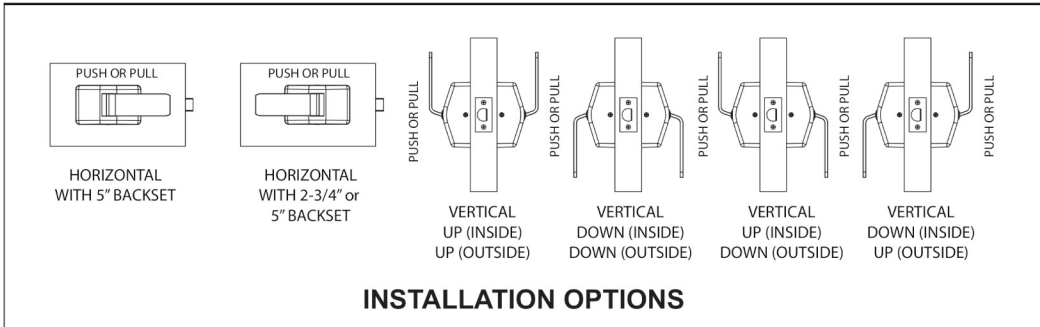
**HOSPP-30**

MODEL#	FUNCTION	FINISH
HOS-PP30	PASSAGE	US32D



The hospital push / pull latch allows for easy opening of doors with an easy push or pull action using elbows or hips when hands are not free.

Ideal for use in commercial applications, institutions, hospitals, washrooms or public buildings.



V09.21