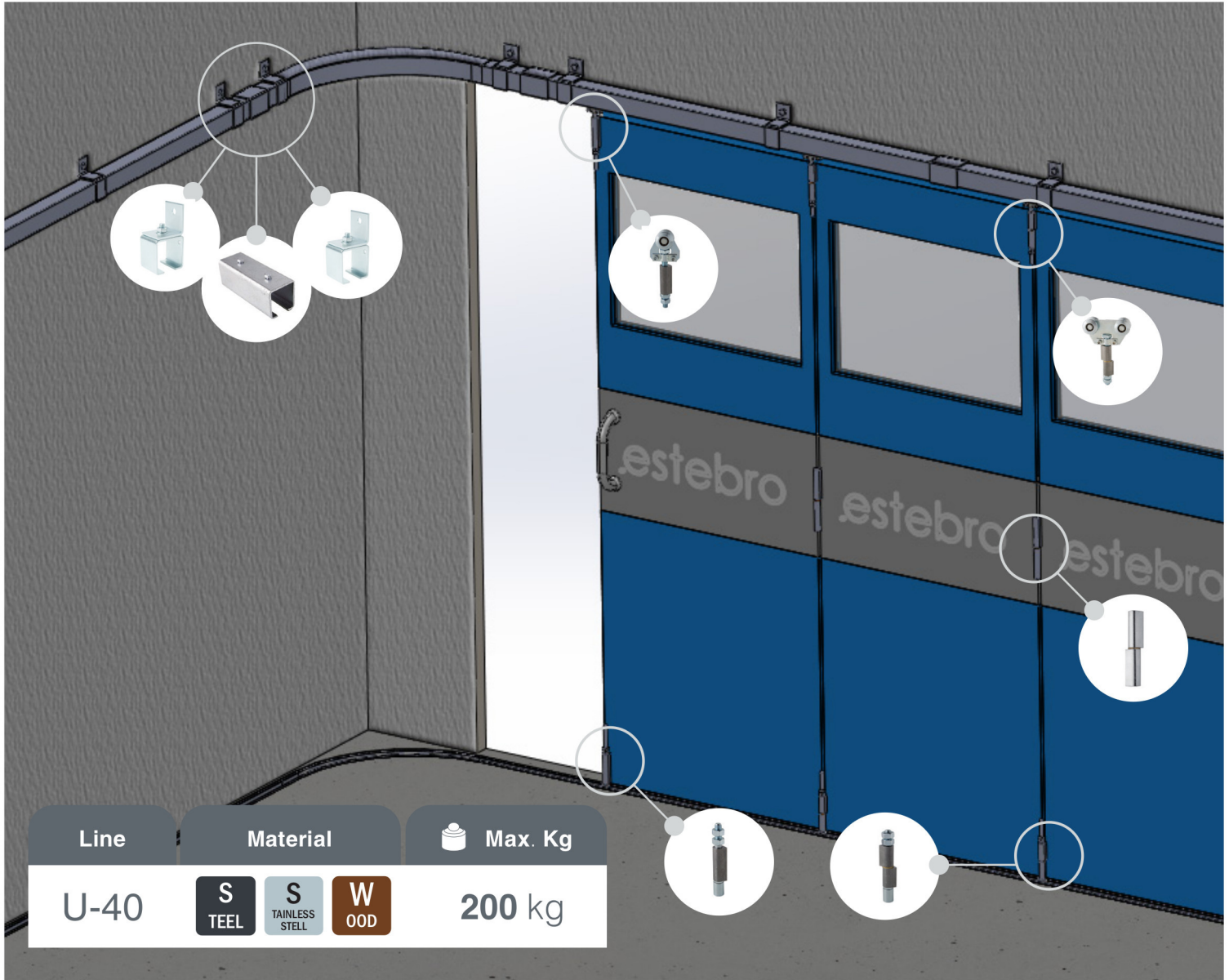


» HERRAJES PARA PORTONES CORREDIZOS SECCIONALES CURVOS MOD. U-40

Hanging Sliding Curved Doors

Hanging Sliding Curved Doors U-40 max 200 kg



Line	Material	Max. Kg
U-40	S TEEL S TAINLESS STEEL W OOD	200 kg

PRODUCT INFORMATION				
PRODUCT		MAX. PANEL WIDTH	MAX. DOOR THICKNESS	MAX. DOOR WEIGHT
U-40 Line	Hanging Sliding Curved Doors	55 cm	6 mm	200 Kg

Information

- To strengthen the curve, brace the curve to the wall using a plate.
- It is recommended to join the curve to the track on each end, with the following set: bracket-joint-bracket.
- The door must be installed using the as many bottom guides as trolleys.

CÓDIGO	SKU	MODELO	DESCRIPCION
EE-00009-00	47810	U-40	ABRAZADERA P/RIEL SUPERIOR U-40

(229) 461-7028 portonesautomaticos@adsver.com.mx
 ads.portonesautomaticos@outlook.com



V01.25



estebro®

HANGING SLIDING CURVED DOORS

Hardware



Puertas & Portones Automaticos, S.A. de C.V.

¡Nuestra pasión es la Solución!...

»HERRAJES PARA PORTONES CORREDIZOS SECCIONALES CURVOS MOD.U-40

U40 ▶ 200 Kg

Top track
Cod 478  3m



Top bend
Cod 477



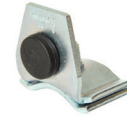
Track wall bracket
with screw
Cod 4784



Joining bracket
Cod 47810



Top track stopper
Cod 47801



Nylon end simple
trolley to weld
Cod 461SE



Nylon middle
double trolley
to weld
Cod 466S



Drop profile hinge
20x120 with brass
washer
Cod 48



End bottom guide
to weld
Cod 780E



Middle bottom
guide to weld
Cod 780



U-19 Middle
bottom guide
to weld
Cod 474-475



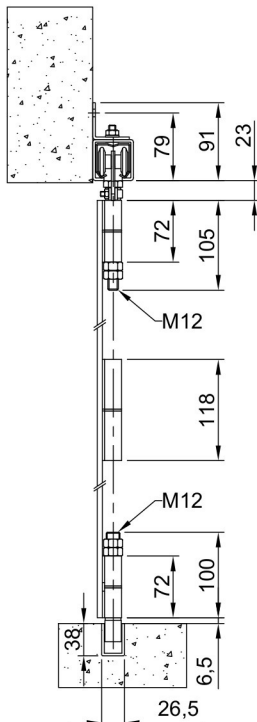
U-19 Bottom track
Cod 481



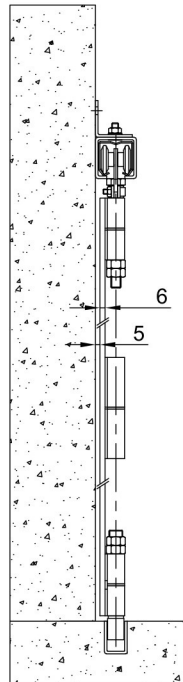
Installation - Recomendations

U40 ▶ 200 Kg

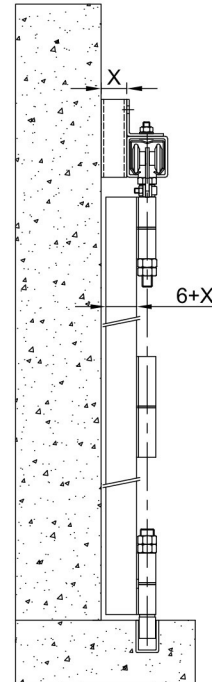
SECTION



STANDARD PANEL THICKNESS



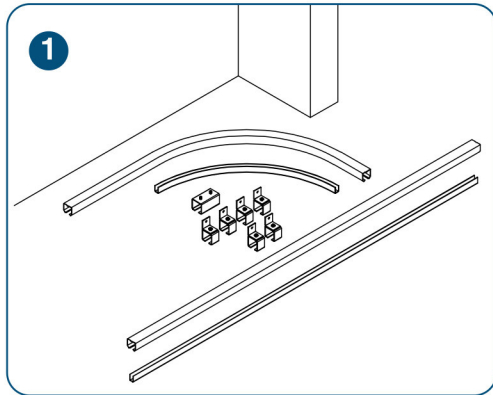
THICKER PANELS



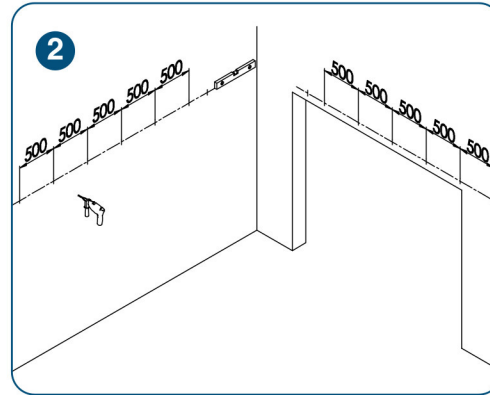
If a thicker panel is required, the brackets could be supplemented



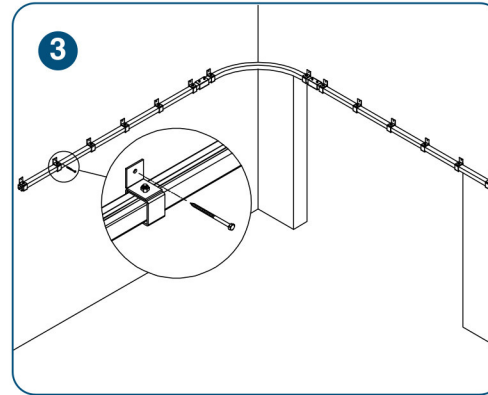
Installation - Step by Step



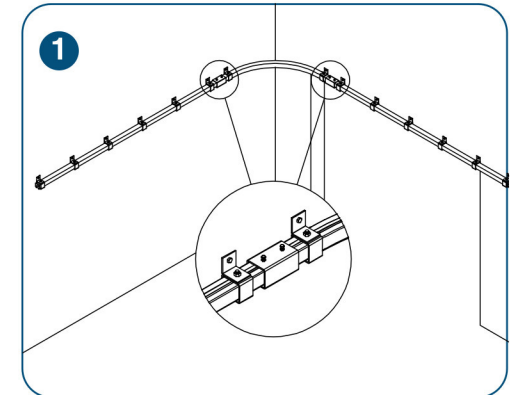
1
Ensure that you have all the required elements. Ensure that the site at the best possible standard to guarantee the correct installation of the door.



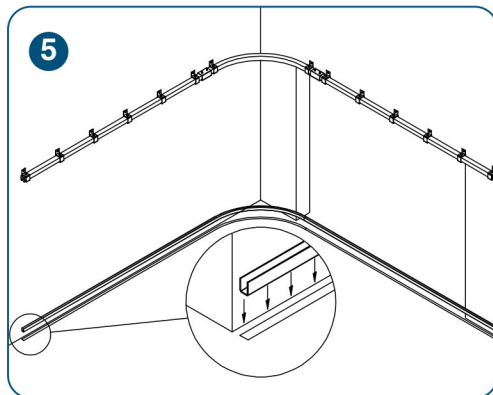
2
Mark and drill the holes to fix the brackets considering the recommended distances between holes as well as the section installation recommendations.



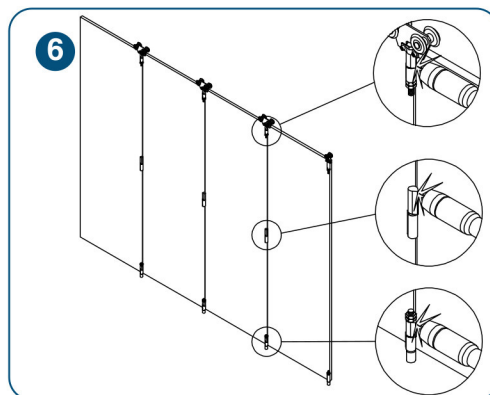
3
Fix the brackets and the rail to the wall



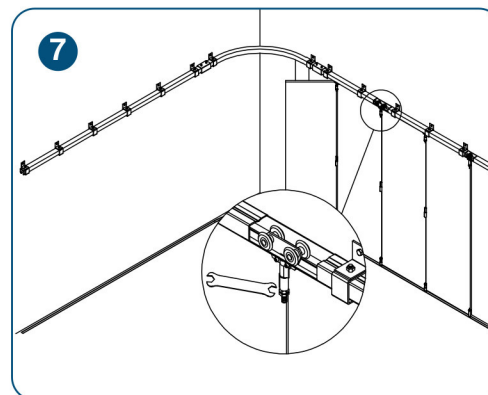
4
It is recommended to join the curve to the track on each end, with the following set: bracket-joint-bracket.



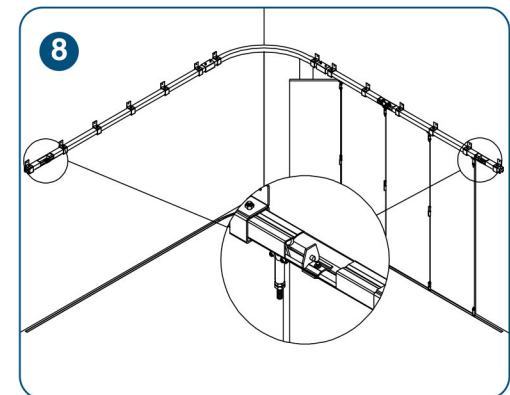
5
The bottom rail must be aligned with the top rail. Fix the bottom rail to the floor.



6
Join the panels with the trolleys, hinges and bottom guides.



7
Insert the door into the rails. Make the necessary adjustments for the correct installation of the door.



8
Install the stoppers on the top rail to set the limits of the door.

