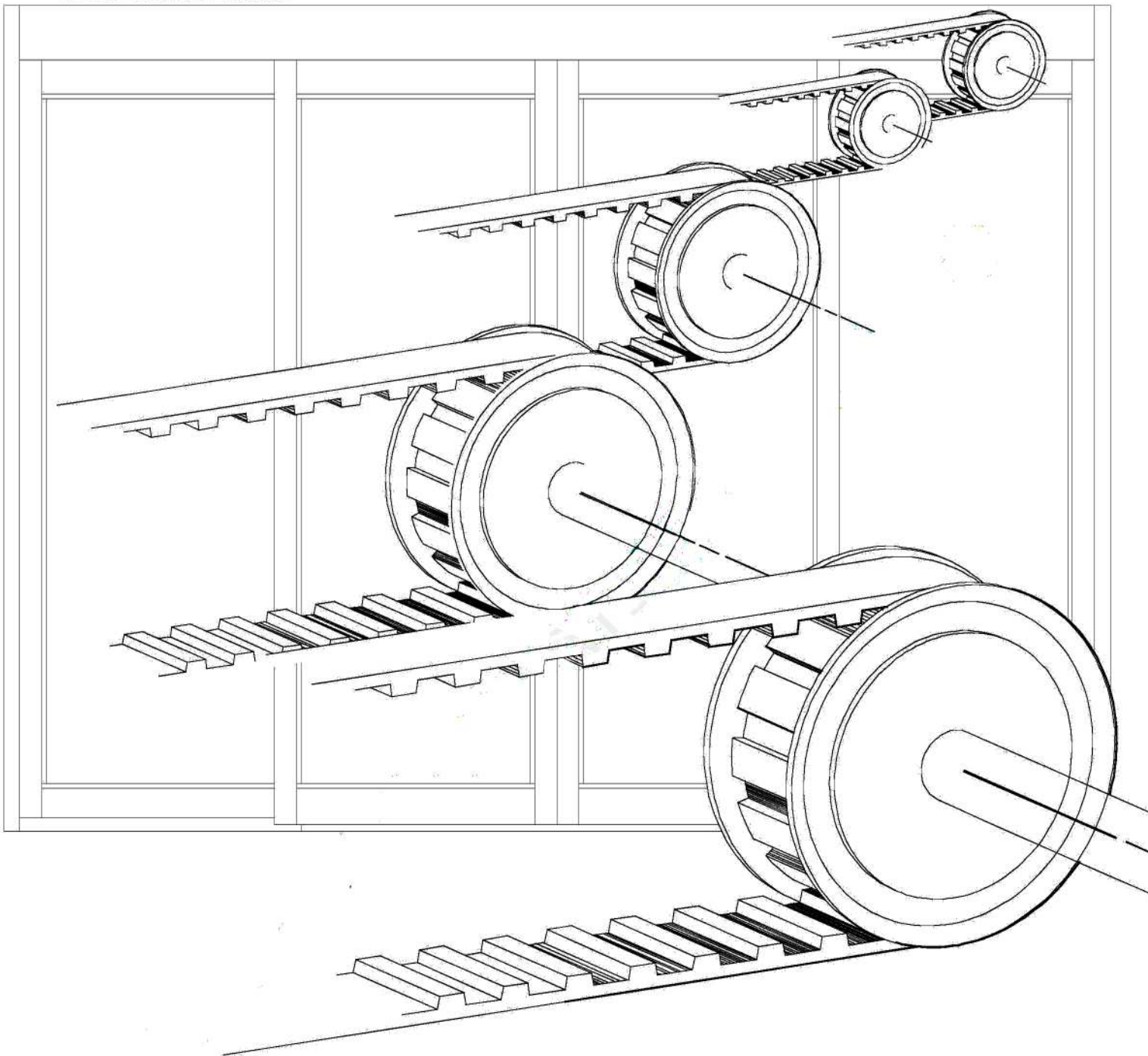




Puertas & Portones Automáticos, S.A. de C.V.

*¡Nuestra pasión es la Solución!....*

## »SISTEMA LINEAL OPERADOR PARA PUERTAS AUTOMATICAS CORREDIZAS MOD.SERIE 2003.



(229) 288-1552

portonesautomaticos@adsver.com.mx  
portonesautomaticos@prodigy.net.mx



RESIDENCIAL



COMERCIAL



INDUSTRIAL



MEMBER  
CIDA  
International Door Association

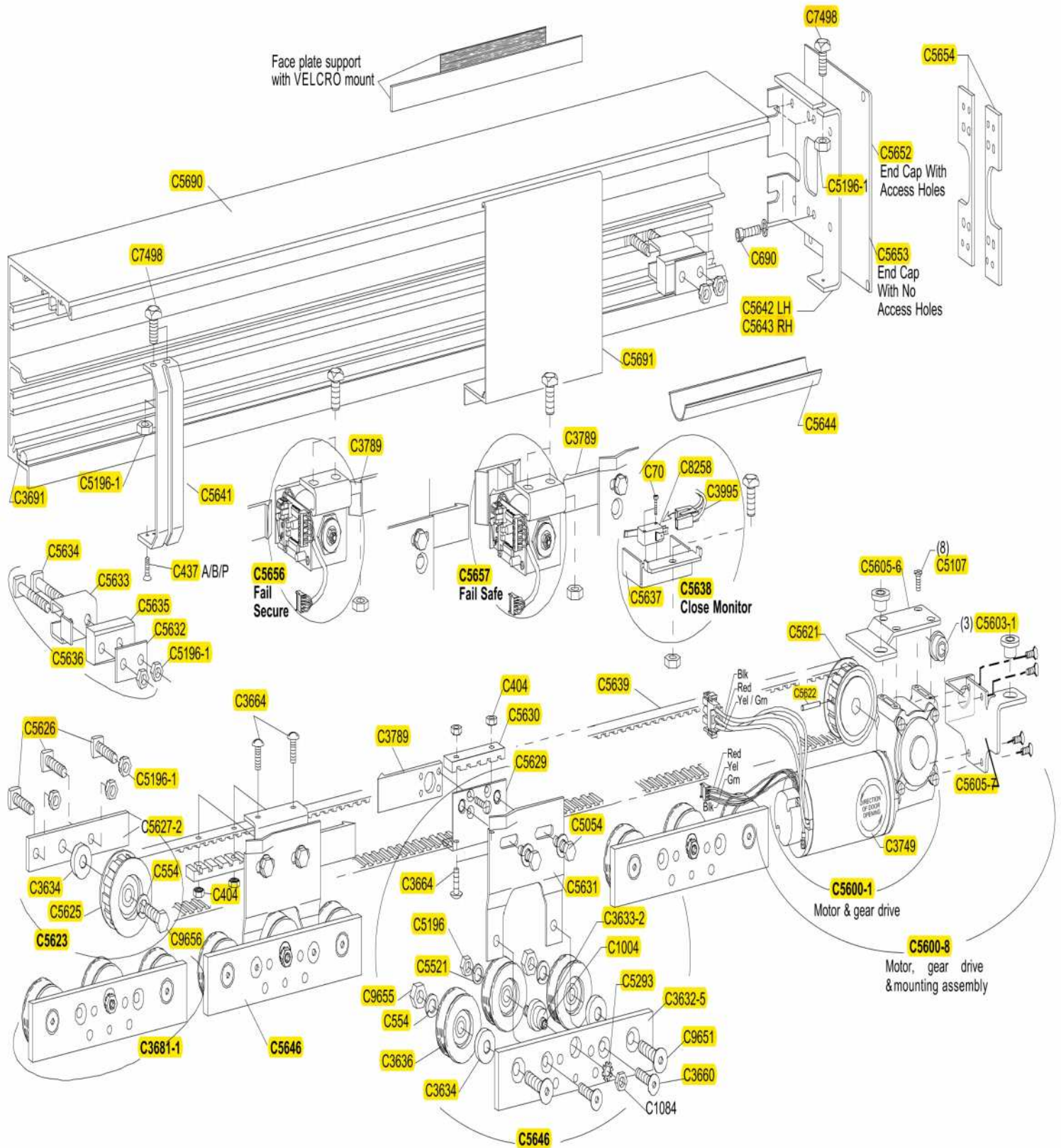


V08.18

(229) 927-5107, 167-8080, 167-8007, 151-7529.

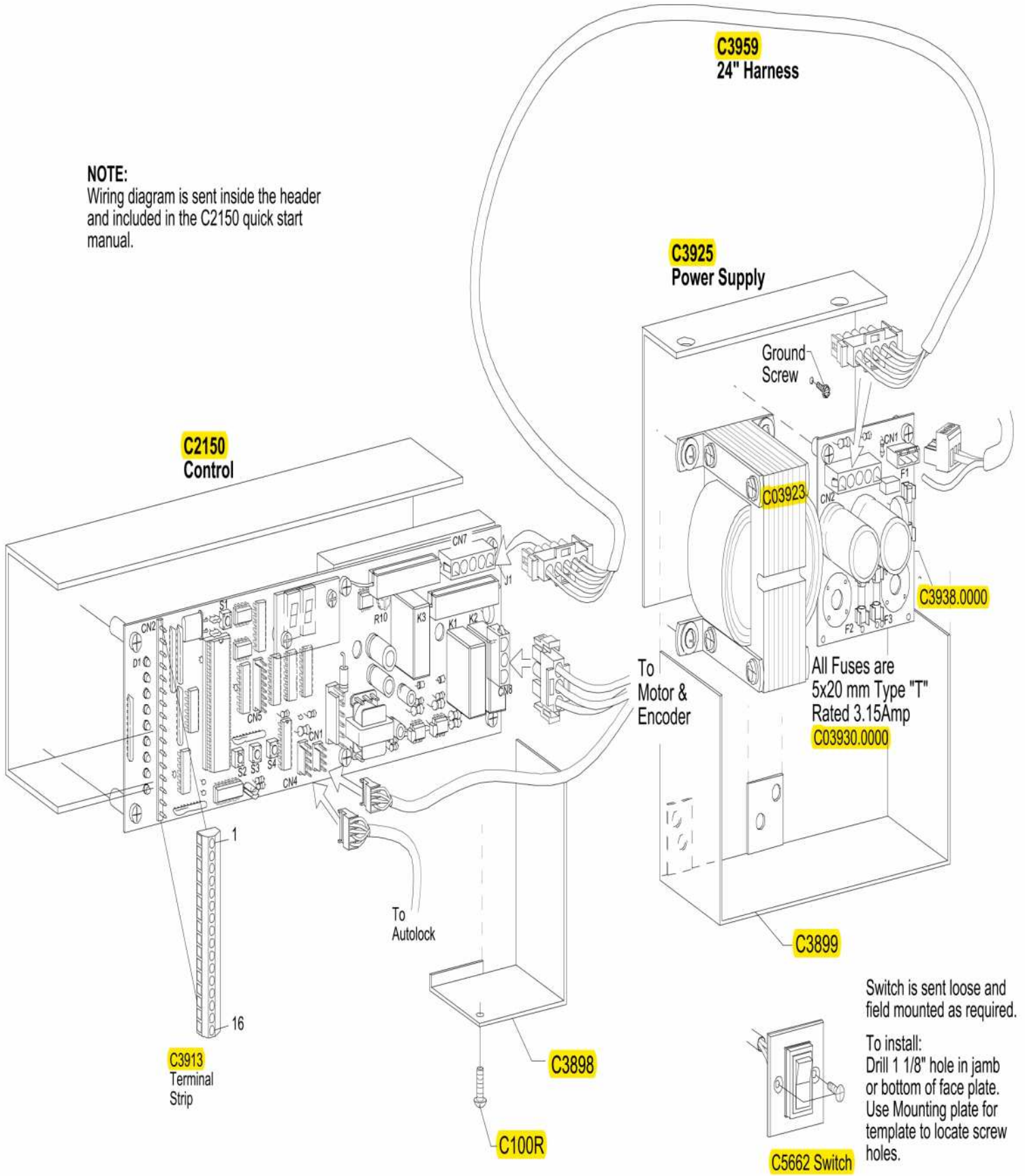


www.adsver.com.mx



## 14. MECHANICAL PARTS - SERIES 2003

**NOTE:**  
Wiring diagram is sent inside the header  
and included in the C2150 quick start  
manual.



**C3959**  
24" Harness

**C3925**  
Power Supply

**C2150**  
Control

**C3913**  
Terminal  
Strip

To  
Motor &  
Encoder

To  
Autolock

Ground  
Screw

All Fuses are  
5x20 mm Type "T"  
Rated 3.15Amp  
**C03930.0000**

Switch is sent loose and  
field mounted as required.

To install:  
Drill 1 1/8" hole in jamb  
or bottom of face plate.  
Use Mounting plate for  
template to locate screw  
holes.

**15. C2150 MICROPROCESSOR CONTROL**

Notas.- Aplicable en la mayoría de las partes aquí ilustradas:

Foto individual – Predomina la parte, ensamble,

(Como referente de opción visto en dibujo o asociación y/o en foto ya aplicada la pieza)

Renglón Descripción en Ingles indicado en PL // Ubicación – uso

Formato es con Número de Parte (en ascendente) no por alfabeto

Venta .-Se sujeta con Precio de Lista MSRP en Dolares

BOLT 4-40X1/2 BHMS PS

Part Number: C00070.0000



BOLT

Part Number: C00100.000R



NUT 1/4-20 KEPS PL

Part Number: C00404.0000



BOLT 10-24X1/2 FH 82 UC PHIL

Part Number: C00437.000A\*



BOLT 10-24X1/2 FH 82 UC PHIL

Part Number: C00437.000B



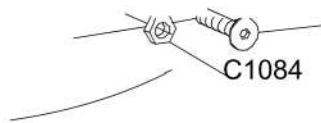
LOCKWASHER 3/8  
Part Number: C00554.0000



BOLT 1/4-20X1 SCS  
Part Number: C00690.0000

BOLT FOR CLAMP TRACK  
Part Number: C00565.0000

SCREW;SET5/16-18X2,SSS CUP BLK  
Part Number:C01004.0000



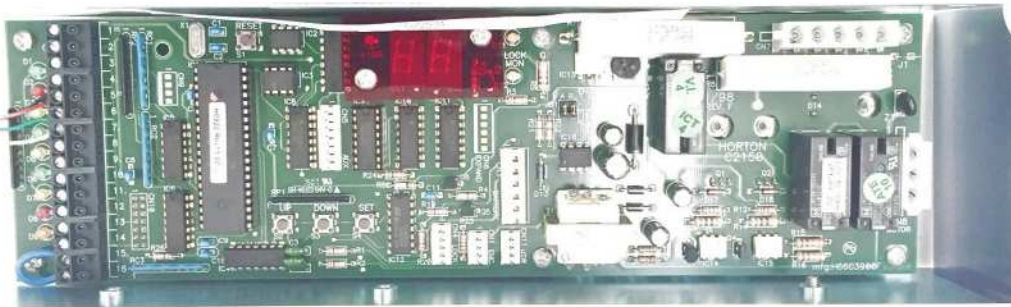
NUT  
Part Number: C01084.0000



Decal " USE COPPER  
Part Number: C01618.0000

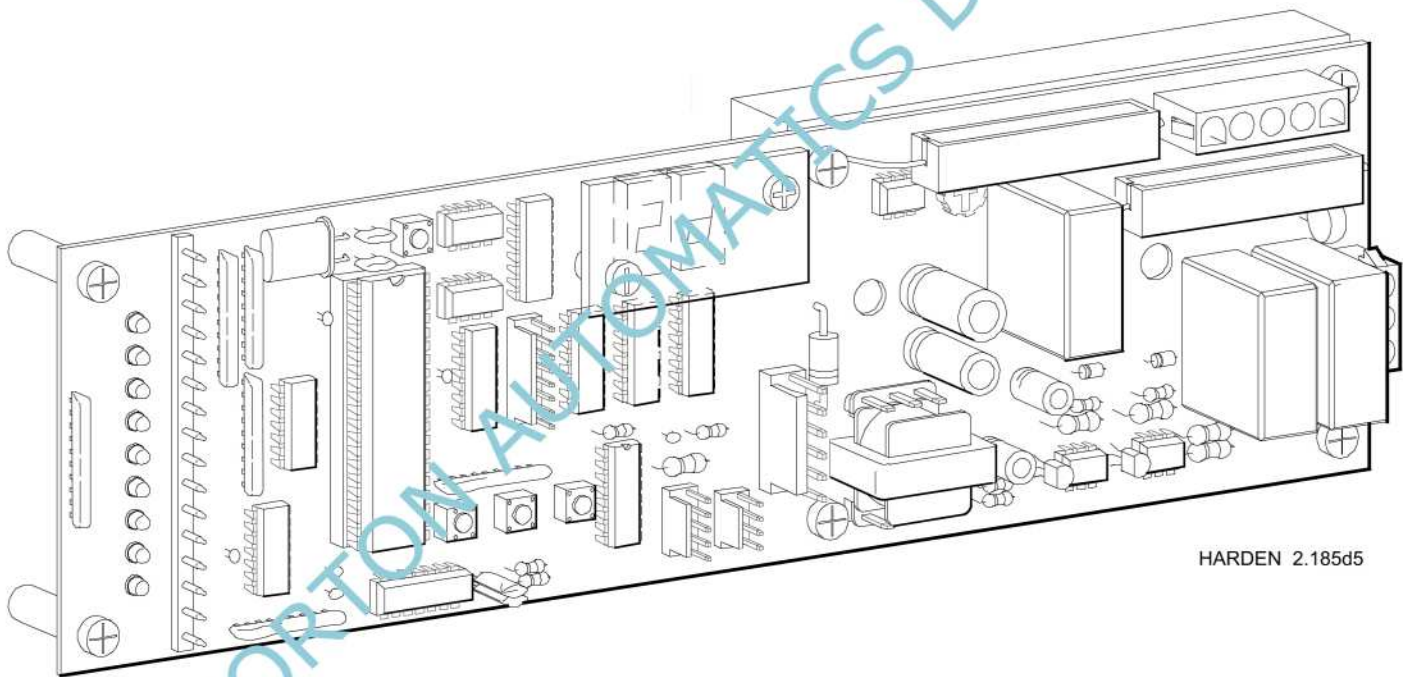


Decal UL 2003  
Part Number: C01646.0002



PROC CNTRL VER.11 SW W/SHIELD

**Part Number:** C02150.0011



HARDEN 2.185d5



BUSHING 5/16 ID X 3/8 OD X 3/8  
Part Number: 03599.0000



WHEEL CARRIAGE BELT DRIVE  
Part Number: 03632.0005



SHAFT/ANTIRISE ROLLER ASSY  
Part Number: 03633.0002



SPACER-ROLLER-2001  
Part Number: C03634.0000



ROLLER TIRE ASSY

**Part Number:** C03636.0000

BOLT

Part Number: C03660



BOLT FOR BELT CLAMP

Part Number: C03664

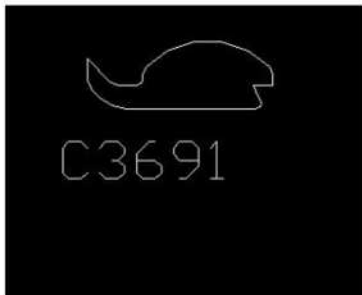
HORTON AUTOMATICS DE MEXICO



C03681.0001

**ASSY-IDLER WHEEL & CARRIAGE**

**Part Number: C03681.0001**



C3691

**TOP ALUM TRACK CLR**

**Part Number: C03691.000A**

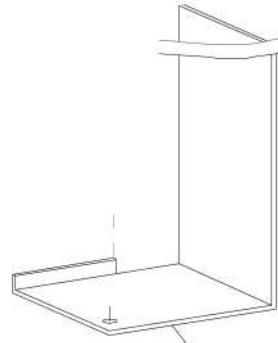


**Motor Decal rotation arrow**

**Part Number: C03749**

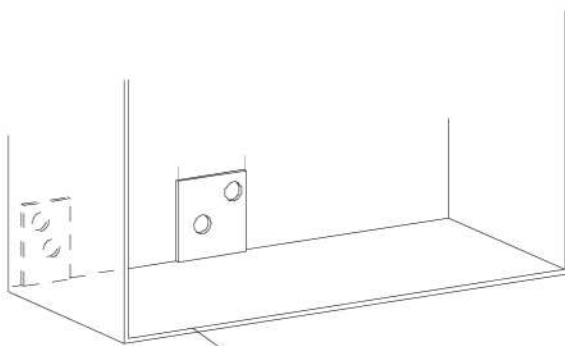
**KEEPER-AUTOLOK LOCK**

**Part Number: C03789.0000**



C3898

C2150 SHIELD  
Part Number: C03898.0000



C3899

PWR SUPPLY SHIELD  
Part Number: C03899.0000



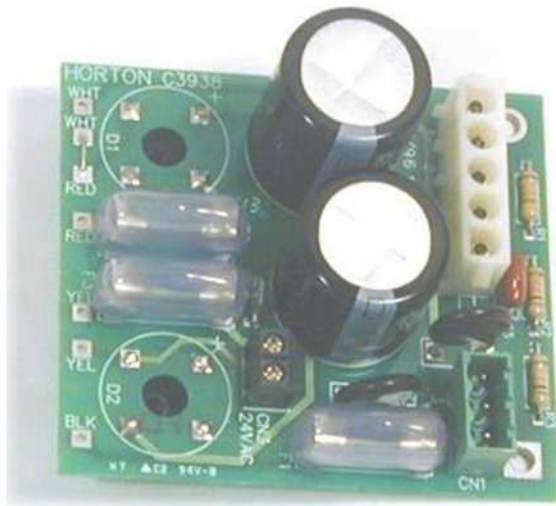
CONN ALTECH 30.316  
Part Number: C03913.0000



TXFMR 120 /90 For C2150  
Part Number: C03923.0000



Fuse 3.15A SLOW BLOW GDC 3.15  
Part Number: C03930.0000



CIRCUIT BOARD PWR SUPPLY ASSY

Part Number: C03938.0000



POWER SUPPLY ( 120V BELT DRIVE )

Part Number: C03925.0000



POWER SUPPLY HARNESS  
Part Number: C03959.0000



TOGGLE SWITCH FOR C2150 ASSY  
Part Number: C03961.0000



CLOSE SWTCH HARNESS  
Part Number: C03995.0000



BOLT 5/16-18x5/8 CAP  
Part Number: C05054.0000



NUT 5/16-18 PLATED  
Part Number: C05196.0000



NUT 5/16-18 PL KEP NUT  
Part Number: C05196.0001



BOLT 10-32 X 3/8 FH PS PL  
Part Number: C05107.0000



WASHER  
Part Number: C05293.0000



WASHER 5/16 LOCK  
Part Number: C05521.0000



ASSY;MOTOR DUNKER/GEAR DRV MNT-S2003

**Part Number:** C05600.0008



ASSY;MOTOR D MERKLE kOFF /GEAR DRV MNT-S2003

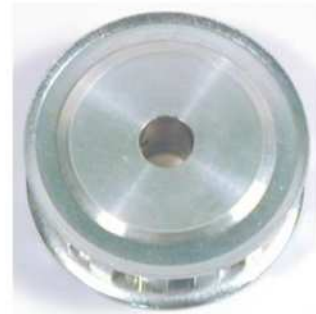
**Part Number:** C05600.0008



BKT-SIDE, GEAR MT TO 2003 HDR  
Part Number: C05605.0008



BKT;TOP-GEAR MT TO 2003 HDR  
Part Number: C05605.0009



ALUM DRIVE PULLEY (S2003) MECTROL #MP1814  
Part Number: C05621.0000



PIN; SPRING 5/32 X 1-1/2 LG,CS  
Part Number: C05622.0001



IDLER PULLY ASSEMBLY Part  
Number: C05623.0000



ALUM IDLER PULLEY (S2003)  
Part Number: C05625.0000



BOLT 5/16-18 X 1 SQ HMB  
Part Number: C05626.0000



BRACKET FOR IDLER PULLEY  
Part Number: C05627.0002



BELT CONNECTOR BKT(STAMPING)  
Part Number: C05629.0000



BELT CLAMP  
Part Number: C05630.0000



BRACKET WHEEL CARRIAGE TO BELT  
Part Number: C05631.0000



BUCKLE RUBBER STOP  
Part Number: C05632.0000



SPACER BASE RUBBER STOP  
Part Number: C05633.0000



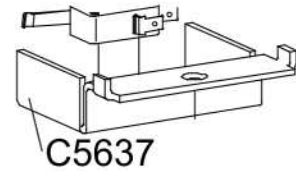
ANCHOR BOLTS BASE RUBBER STOP  
Part Number: C05634.0000



RUBBER STOP  
Part Number: C05635.0000



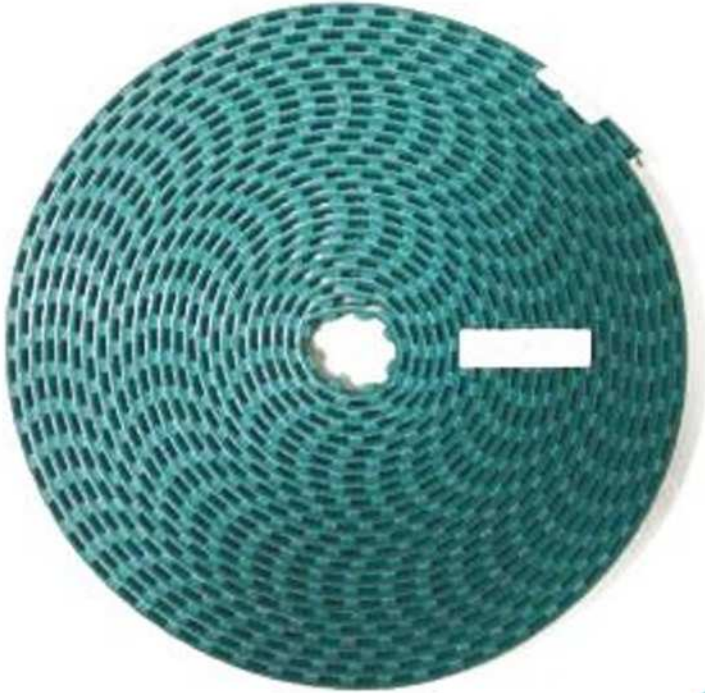
BUMPER S2003 ASSY  
Part Number: C05636.0000



CLOSE MONITOR SWITCH BASE  
Part Number: C05637.0000



CLOSE MONITOR SWITCH  
Part Number: C05638.0000



BELT : COG .50" X .50" W S2003  
Part Number: C05639.0001



BELT : COG .50" X .50" W S2003  
Part Number: C05641.0000



BELT : COG .50" X .50" W S2003  
Part Number: C05642.0000



EXTRUSION VINYL WIRE GUIDE  
Part Number: C05644.0000



DRIVE WHEEL CARRIAGE 2003 ASSY  
Part Number: C05646.0000



HEADER ENDCAP INFRAME MNT 2003  
Part Number: C05652.000A



HEADER ENDCAP  
Part Number: 05653.000A



TAPPING PLATE HDR TO JAMB 2003  
Part Number: C05654.0000



AUTOLOCK 2003 FAIL SEC C2150  
Part Number: C05656.0000



AUTOLOCK 2003 FAIL SAFE C2150  
Part Number C05657.0000

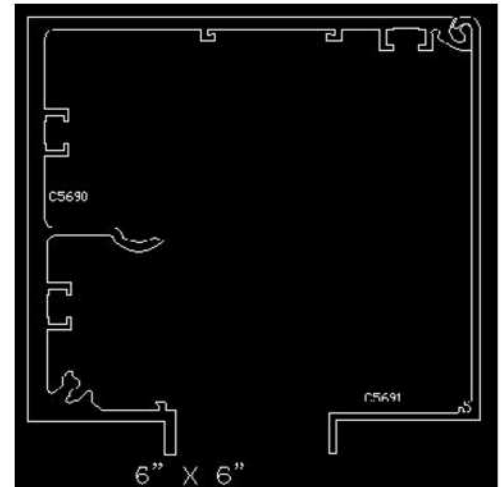
HORTON AUTOMATICS DE MEXICO



ON/OFF ROCKER SWITCH ASSY

Part Number: C05662.0000

HORTON AUTOMATICS DE MEXICO



Series 2003 Header

Part Number: C05690.000A



BOLT SQ HEAD 5/16-18 X5/8  
Part Number: C07498.0000



SWITCH WITH BENT ARM  
Part Number: C08258.0000



Screw PH Head  
Part Number: C09029.0000



BOLT 3/8-16 X 1 1/2 FHSCS  
Number: C09651.0000



NUT 3/8-16 HEX  
Part Number: C09655.0000



BOLT  
Part Number: C09656



ROCKER SWITCH SELECTA RH03  
Part Number c09685.0000



Part Number: C012158



Part Number: C012158 Mx



web 26 03 16

## *Notas.*

---

HORTON AUTOMATICS DE MEXICO



Puertas & Portones Automáticos, S.A. de C.V.  
*¡Nuestra pasión es la Solución!....*

»SISTEMA LINEAL OPERADOR PARA PUERTAS AUTOMATICAS CORREDIZAS  
MOD.SERIE 2003.



Puertas & Portones Automáticos, S.A. de C.V.  
*¡Nuestra pasión es la Solución!....*

(229) 288-1552

portonesautomaticos@adsver.com.mx  
portonesautomaticos@prodigy.net.mx



RESIDENCIAL



COMERCIAL



INDUSTRIAL



V08.18

(229) 927-5107, 167-8080, 167-8007, 151-7529.



www.adsver.com.mx