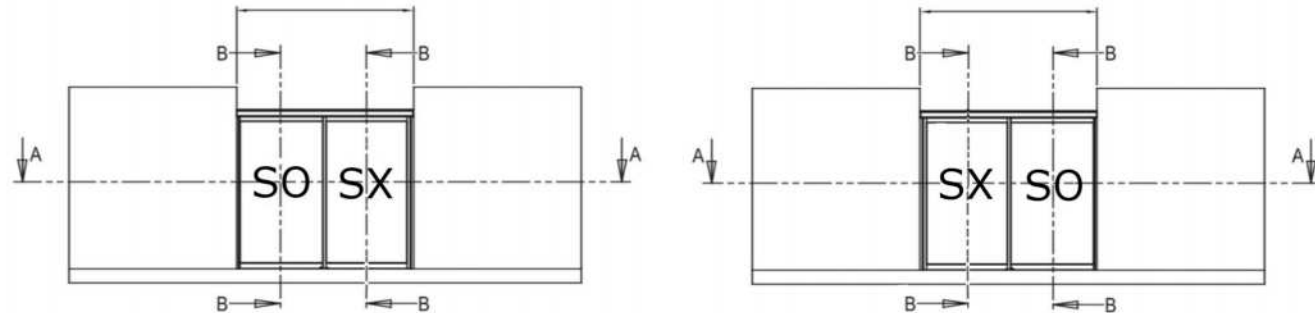
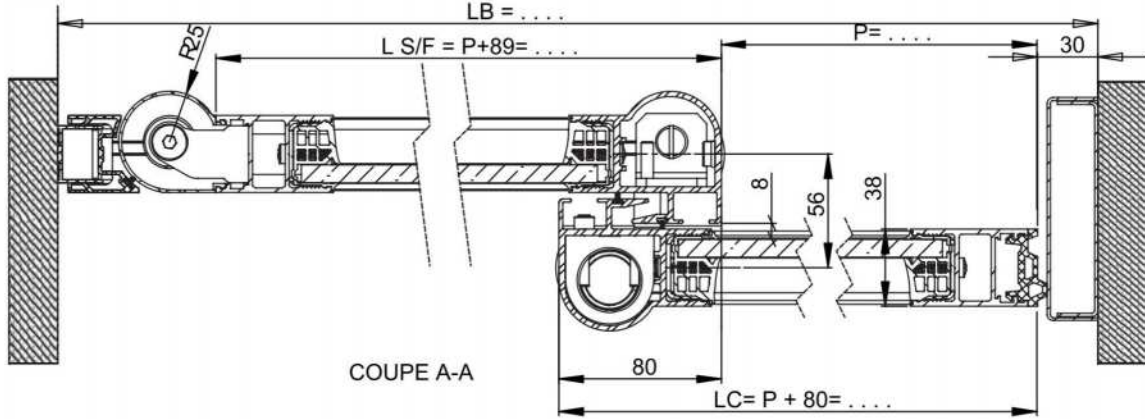
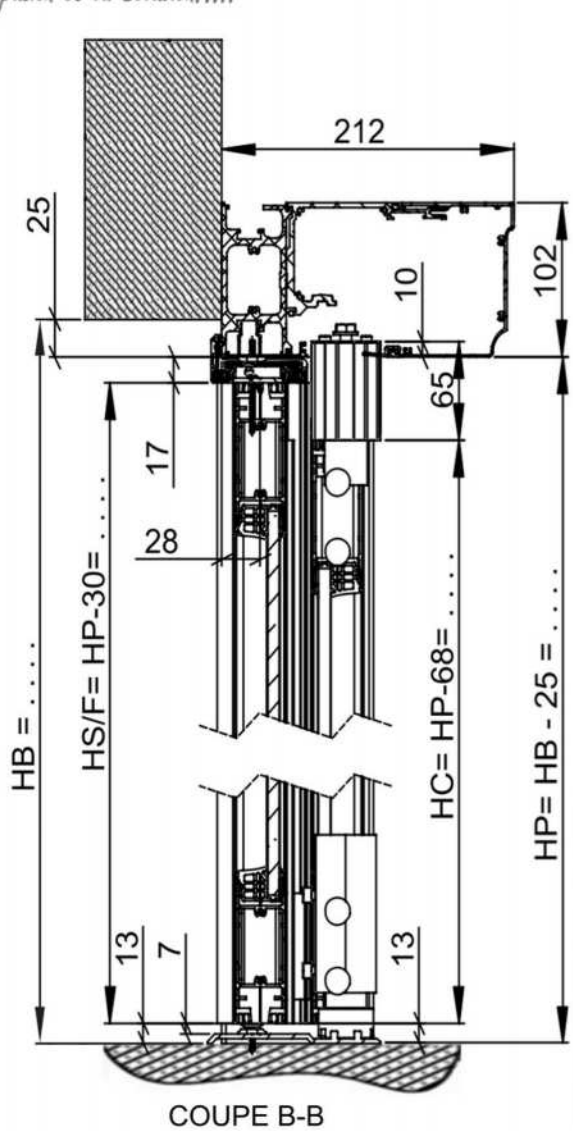
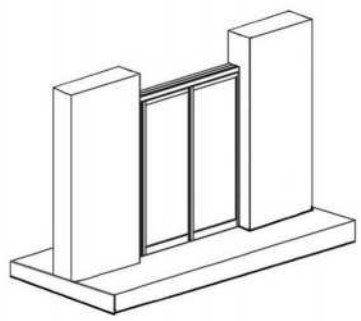


GAMME TINA API38 / TINA FBO38



$P = [LB - (197 + Jeu)] / 2 = \dots\dots\dots$	
$P \text{ Maxi API} = LB - (178 + Jeu) = \dots\dots\dots$	
Chassis / Leaves	
$HC = HP - 68 = \dots\dots\dots$	$HS/F = HP - 30 = \dots\dots\dots$
$LC = P + 80 = \dots\dots\dots$	$LS/F = P + 89 = \dots\dots\dots$
Vitrage / Glazing	
$hv = HC - 170 = \dots\dots\dots$	$hv = HS/F - 170 = \dots\dots\dots$
$lv = LC - 106 = \dots\dots\dots$	$lv = LS/F - 101 = \dots\dots\dots$



- CORREDIZA
- FIJO
- PARED
- ANTIPANICO



TINA
 API 38 S ENTRE MURS PE 05803-A

(229) 365-5662

portonesautomaticos@adsver.com.mx
 portonesautomaticos@prodigy.net.mx

