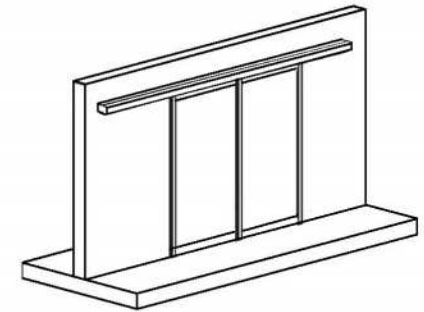
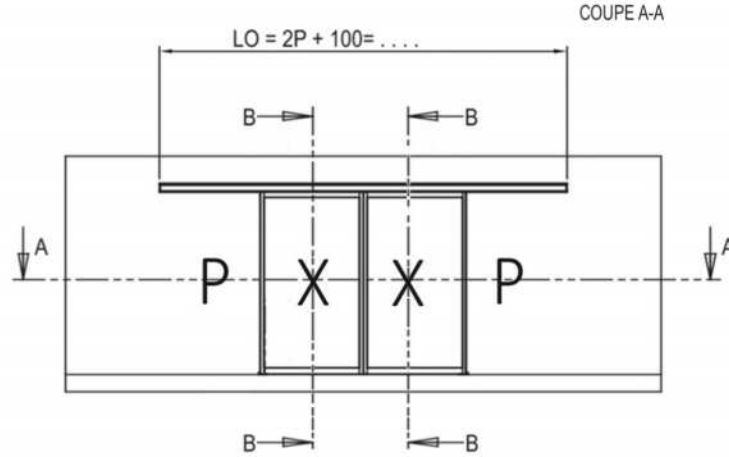
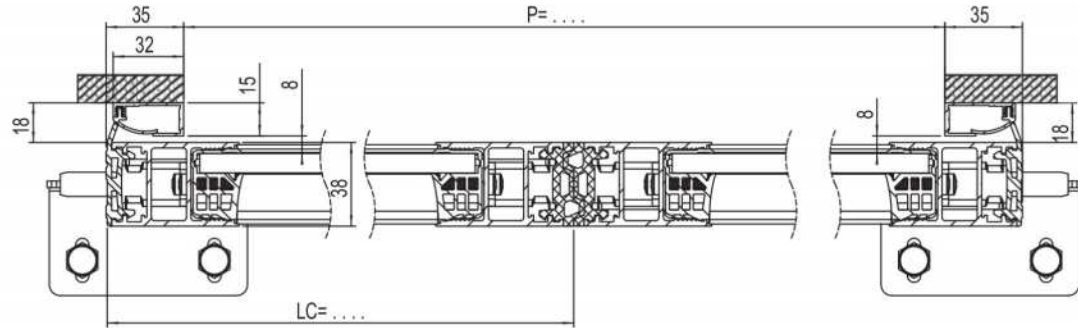
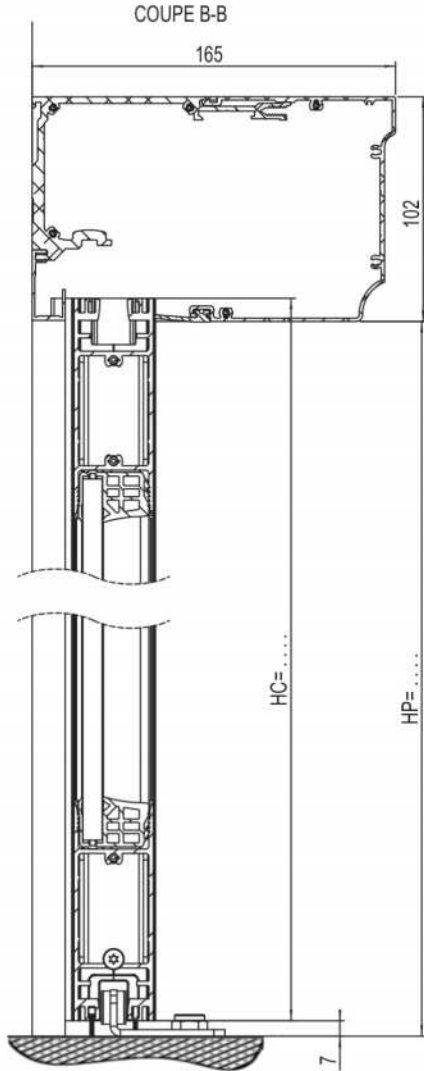


TINA COULISSANTE DOUBLE R35MM - MONTAGE EN APPLIQUE
 DOUBLE SLIDING TINA 35MM OVERLAP - SURFACE APPLIED MOUNTING

Puertas & Portones Automáticos, S.A. de C.V.
 ¡Nuestra pasión es la Solución!...

GAMME TINA COULISSANTE G38 / SLIDING TINA G38



CT1 / G38
 HC = HP + 3 =
 LC = P / 2 + 35 =

X CORREDIZA
 O FIJO
 P PARED
 S ANTIPANICO



(229) 365-5662
 portonesautomaticos@adsver.com.mx
 portonesautomaticos@prodigy.net.mx

RESIDENCIAL COMERCIAL INDUSTRIAL
 MEMBER **IDA**
 International Door Association

TINA
 C D G38 R35
 PORTALP
 PE 00513-A