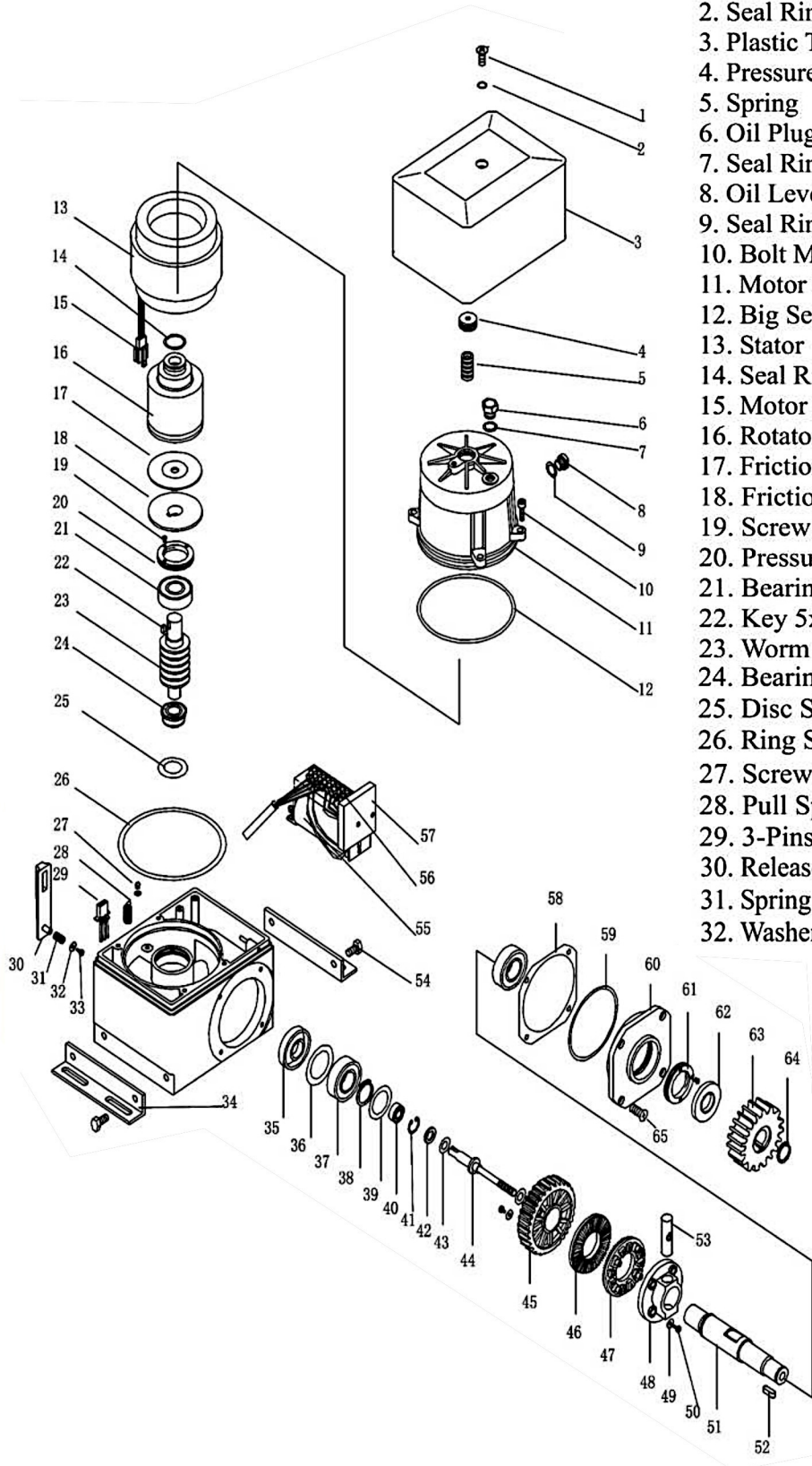


ad SG1200-110V

PROFESIONAL KIT



1. Screw M8x16
2. Seal Ring 11x1.9
3. Plastic Top Cover
4. Pressure Screw
5. Spring
6. Oil Plug
7. Seal Ring 16x2.4
8. Oil Level Screw
9. Seal Ring 16x2.4
10. Bolt M6x20
11. Motor Shell
12. Big Seal Ring
13. Stator
14. Seal Ring 30x3.1
15. Motor Plug Wire
16. Rotator
17. Friction Plate
18. Friction Disc
19. Screw M3x5
20. Pressure Nut
21. Bearing E6204
22. Key 5x10
23. Worm
24. Bearing E30203
25. Disc Spring
26. Ring Seal Washer
27. Screw M4x6
28. Pull Spring
29. 3-Pins Plug
30. Release Key Cover
31. Spring
32. Washer 4
33. Tapping Screw 3.5x10
34. Angle Steel
35. Oil Seal SD25x50x10
36. Big Disc Spring
37. Bearing 6205
38. Retainer Clip 30
39. Big Washer
40. Oil Seal SD10x22x8
41. Retainer Clip 20
42. Washer 10
43. Small Disc Spring
44. Core Rod
45. Worm Wheel
46. Notched Clutch
47. Notched Clutch
48. Notched Clutch destal Pe
49. Washer 4
50. Tapping Screw 3.5x10
51. Worm Wheel Shaft
52. Key A6x20
53. Cross Pin
54. Bolt M8x16
55. Capacitor 80UF
56. Wiring Terminal Bracket
57. Limit Switch
58. Square Seal Washer
59. Seal Ring 100x3.1
60. Bearing End Cap
61. Pressure Nut
62. Oil Seal SD25x50x10
63. Output Gear
64. Retainer Clip 22
65. Bolt M4x8

