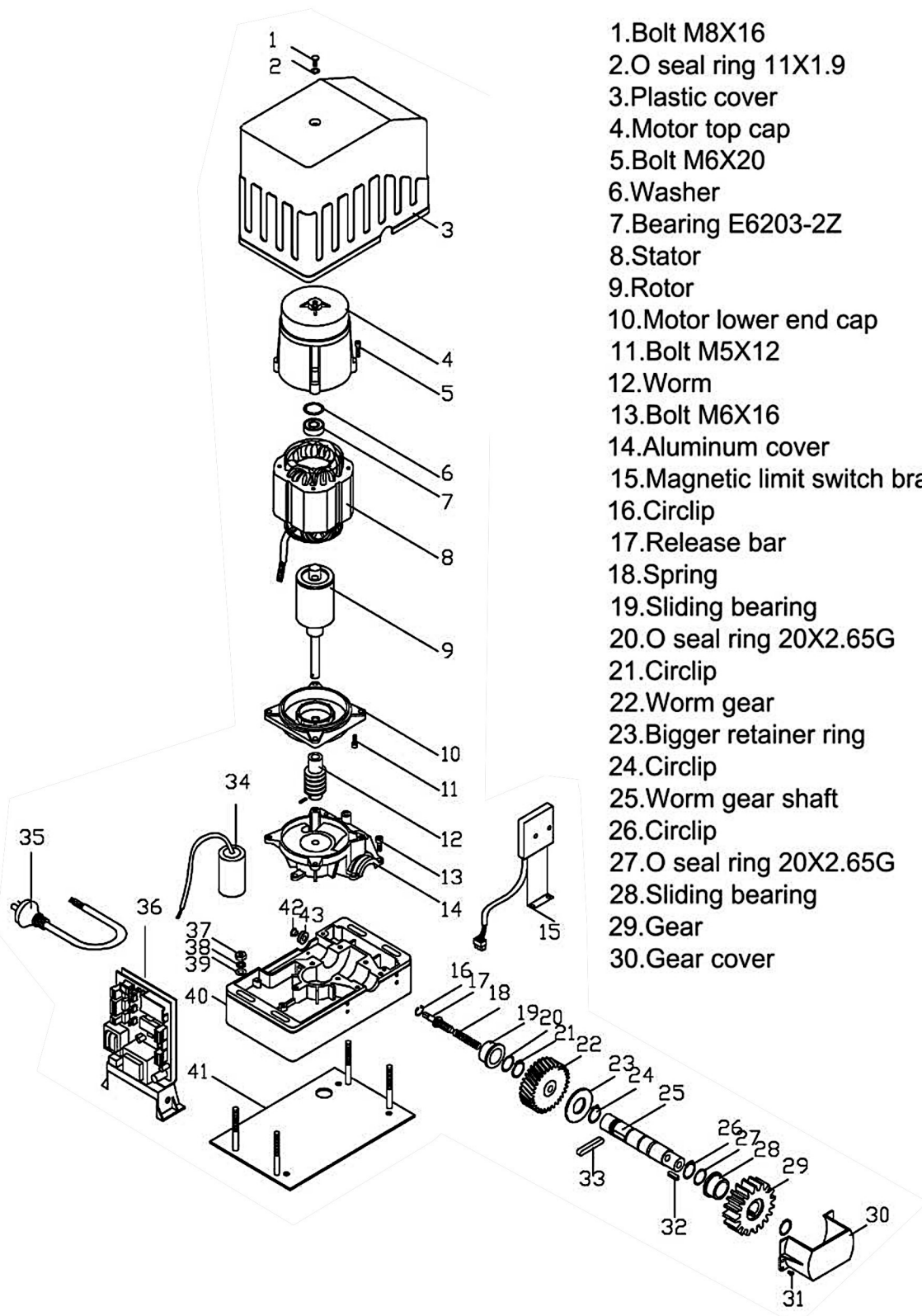


ad SG600-110V

PROFESIONAL KIT



- 1. Bolt M8X16
- 2. O seal ring 11X1.9
- 3. Plastic cover
- 4. Motor top cap
- 5. Bolt M6X20
- 6. Washer
- 7. Bearing E6203-2Z
- 8. Stator
- 9. Rotor
- 10. Motor lower end cap
- 11. Bolt M5X12
- 12. Worm
- 13. Bolt M6X16
- 14. Aluminum cover
- 15. Magnetic limit switch bracket
- 16. Circlip
- 17. Release bar
- 18. Spring
- 19. Sliding bearing
- 20. O seal ring 20X2.65G
- 21. Circlip
- 22. Worm gear
- 23. Bigger retainer ring
- 24. Circlip
- 25. Worm gear shaft
- 26. Circlip
- 27. O seal ring 20X2.65G
- 28. Sliding bearing
- 29. Gear
- 30. Gear cover
- 31. Bolt M4X8
- 32. Key A6X20
- 33. Key A8X50
- 34. Capacitor 55UF
- 35. Power lead
- 36. Control board bracket
- 37. Nut M8
- 38. Spring washer
- 39. Plain washer
- 40. Tool body
- 41. Operator base
- 42. Sider rubber cap
- 43. Plastic cap

